

## WTR-1040 Water Sensor

### SPECIFICATION SHEET



- 10' of wire included with each sensor, more available for purchase

#### Description:

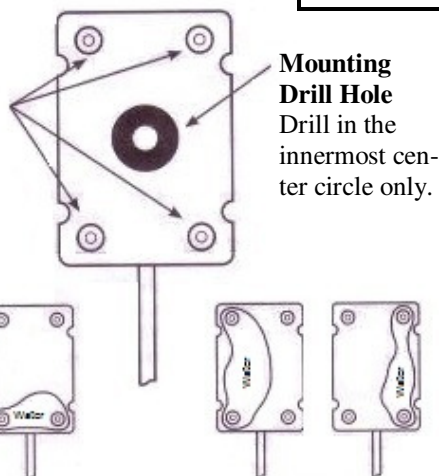
The WTR-1040 is water sensor that is used in conjunction with the VM508E or the WTR-WB-200. The sensor, when bolted to the floor will send a signal to the unit triggering an alarm condition. The VM508E can accept up to 4 water sensors. The WTR-WB-200 can handle up to 6 water sensors.

#### Specifications

Operating Temperature	32°F to 130°F (0°C to 54°C)
Sensitivity	Will not alarm in high humidity
Weight	6 oz. (.17kg)
Dimensions	2.0" X 3.0" X .88" (5.08 X 7.62 X 2.24 cm)
Max cable distance	100' (33.3m)

#### Four Sensor Contacts

The four sensor contacts must be monitored. For example; they must be against



**Mounting Drill Hole**  
Drill in the innermost center circle only.