

## Model RH3-R Temperature & Humidity Sensor

### SPECIFICATION SHEET AND WIRING DIAGRAM



- Wall-mounted temperature and humidity sensor
- Attractive look
- 10' of wire included with each sensor, more available for purchase
- For model VM508E

#### Description:

The RH3-R relative humidity sensor utilizes a capacitive sensing element to deliver a proportional 4 to 20 mA\*, **0 to 5VDC**, or 0 to 10VDC\* output. Accuracy is maintained over the entire operating range using a thermistor for temperature compensation.

The sensor also has on board DIP switches which allow the user to select the desired output signal, and can be powered by AC or DC power. In addition field calibration can be performed by using the on board increment and decrement DIP switches.

Each RH-3 humidity sensor is calibrated using a NIST Traceable Temperature/Humidity Chamber.

NIST certificates are available.

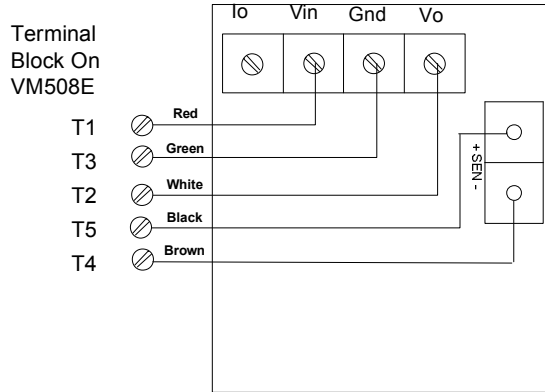
\*Available upon request.

#### Specifications

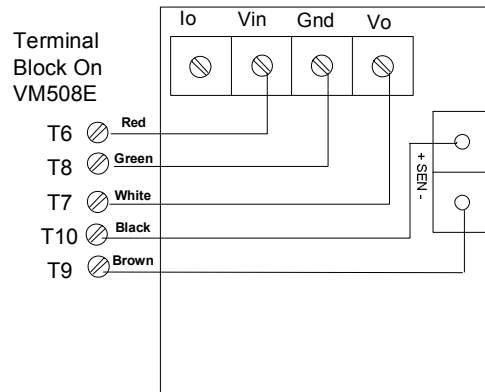
RH3 Supply Voltage	0-5 VDC: 12 to 40VDC/18 to 28VAC (4K load min.)
Supply Current	8 mA Max.
RH3 Measurement Range	0 to 100%
RH3 Output	3-wire, <b>0-5</b> , 0-10 VDC*, or 4-20 mA*
Accuracy @ 77°F (25°C)	+/- 3% from 10% to 95% RH
Long Term Stability	Less than 2% drift / 5 years
Sensitivity	0.1% RH
Operating Environment	0 to 95% RH (non-condensing) 32 to 122°F (0 to 50°C)
RH3 Sensor Type	Capacitive
Temperature Accuracy	+/-0.06%@32°F (0°C) single Point
Approvals	CE, RoHS

## RH3 TEMPERATURE AND HUMIDITY SENSOR WIRING

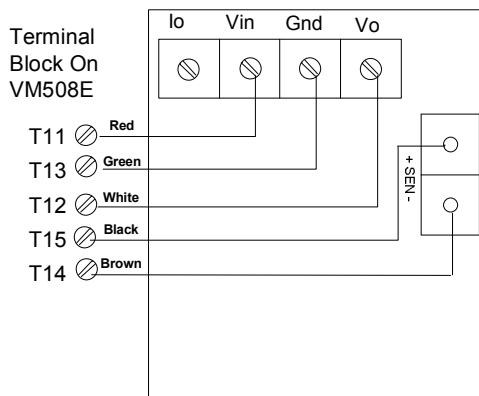
RH3 to Zone 1 Input



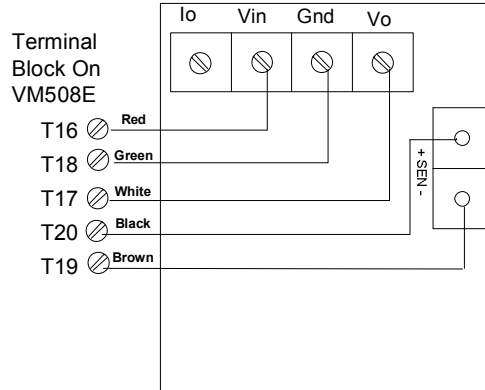
RH3 to Zone 2 Input



RH3 to Zone 3 Input



RH3 to Zone 4 Input



DRAWN BY

**Temperature Guard  
Microtechnologies, Inc.**  
www.temperatureguard.com

TITLE

**RH3-R**

DESCRIPTION

Wiring Diagram

PAGE

1 OF 1

DATE

February 2012